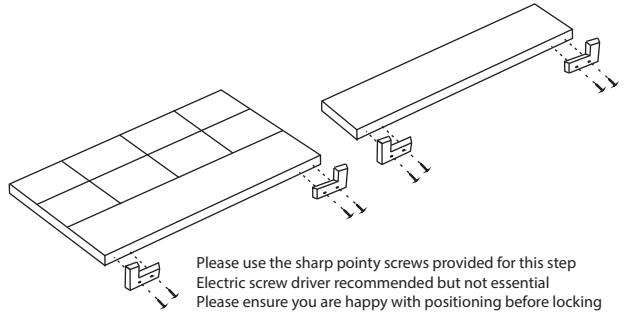


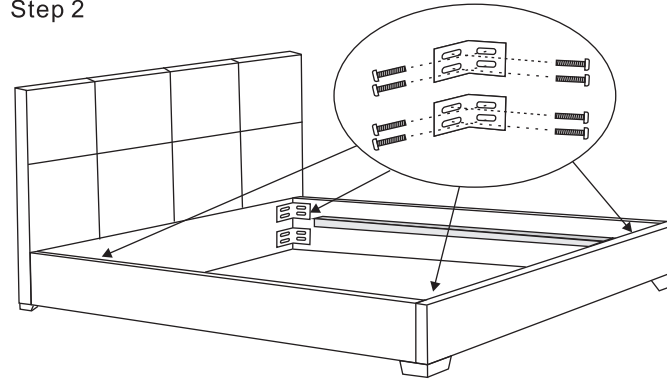
Bed Frame Installation Guide

Step 1

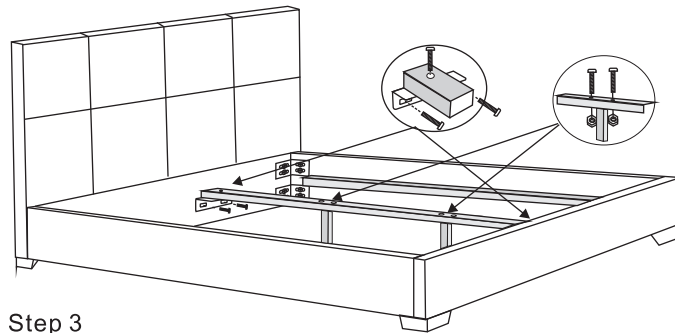


Please use the sharp pointy screws provided for this step
 Electric screw driver recommended but not essential
 Please ensure you are happy with positioning before locking
 No holes on the bottom so you can choose most aligned position

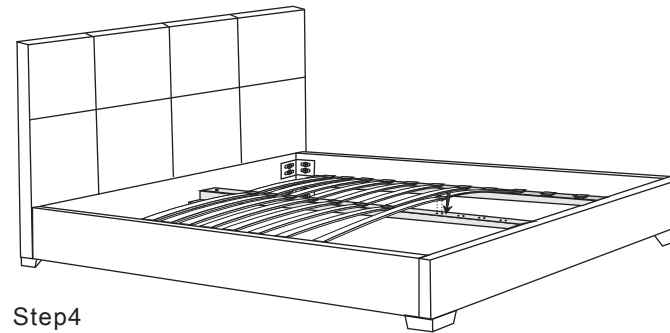
Step 2



TOMMY SWISS






Step 3






Step 4

Installation Guidance - Recommended Reading prior to Installing

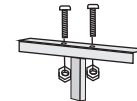
Use 8 x  (small bolts)
 And 2 x 
 in each corner to join the
 4 sides of the bed together

On each side use 5 x  (long bolts)
 to join the metal side railing to the
 side panel via the 5 matching holes

Fix these 2 brackets 
 to the middle of the headboard
 and footboard using 2 x  (small bolts)
 Use 1 x  on each bracket to join
 middle support beam to bracket

It should look like this 
 For king size there will be 2 middle support beams

Join the 2 support legs underneath
 the middle support beam as shown



Use the medium/long bolts for this step
 For king size there will be 4 support legs

Fix plastic clips onto wooden slats
 before pushing them down into the
 allocated holes along the side and
 middle metal beams for easier installation